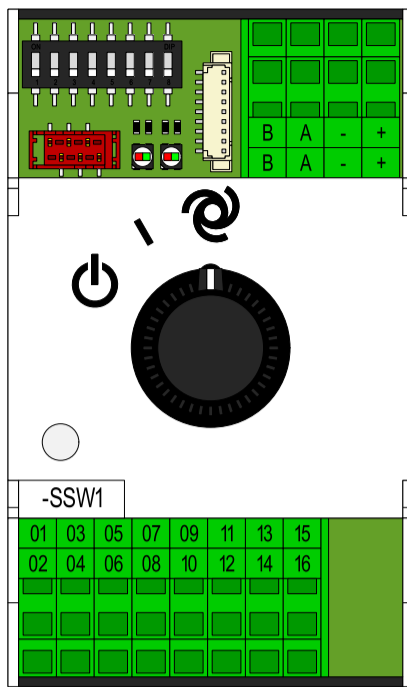


Image

Smartswitch
27-5092b[00]_3
20801300



Connection data

+	DC24V [+]	Power supply DC24V [+]
+	DC24V [+]	Power supply DC24V [+]
-	DC24V [-]	Power supply DC24V [-]
-	DC24V [-]	Power supply DC24V [-]
A	RS485 [A]	Communication bus RS485 [A]
A	RS485 [A]	Communication bus RS485 [A]
B	RS485 [B]	Communication bus RS485 [B]
B	RS485 [B]	Communication bus RS485 [B]

01	VCOM	Common relay output
02	VCOM	Common relay output
03	VCOM	Common relay output
04	VCOM	Common relay output
05	OUT_OP	Output relay 1 [contactor device on]
06	NA	Not available
07	NA	Not available
08	NA	Not available
09	NA	Not available
10	NA	Not available
11	IN_D1	Input digital 1
12	NA	Not available
13	IN_D2	Input digital 2
14	NA	Not available
15	GND	GND measurements [IN_D1], [IN_D2]
16	NA	Not available

Commercial data

Product code	20801300
Product description	Smartswitch 27-5092b[00]_3 Filling pump
Packing unit	1
Weight	0.121 [kg]
Custom tariff number	8537.10.91
Land van herkomst	NL (Netherlands)

Dimensions

Width	53.60 [mm]
Height	89.60 [mm]
Depth	81.00 [mm]

Standards and regulations

EMC	Conformance with EMC directive 2014/30/EU
RoHS	Conformance with RoHS directive 2011/65/EU
WEEE	Conformance with WEEE directive 2002/96/EC

Connection data, details

+	DC24V [+]	Terminal power supply DC24V of Smartswitch, polarity [PLUS]. The free [PLUS] [+] terminal can be used to supply power to a continuous Smartswitch.
+		
-	DC24V [-]	Terminal power supply DC24V of Smartswitch, polarity [MIN]. The free [MIN] [-] terminal can be used to supply power to a continuous Smartswitch.
-		
A	RS485 [A]	Terminal RS485 communication bus, signal line [A].
A		
B	RS485 [B]	Terminal RS485 communication bus, signal line [B].
B		

01	VCOM	Terminal P-contacts of relays. Connect desired voltage type that has to be switched; DC24V [+], or AC24V [P].
02		
03		
04		

05	OUT_ON	Relay contact for switching the power stage of a hot air heater. The relay contact switches what is provided on the terminal(s) [VCOM].
----	--------	--

11	IN_D1	Digital input for dry contact [NC], that when opened will raise an alarm [PKZM] in the control. An alarm is raised, the control stays active.
15	GND	When not used interconnect [11] and [15].

13	IN_D2	Digital input for dry contact [NC], that when opened will raise an alarm [Level switch/thermostat] in the control. An alarm is raised, the control will be blocked. When not used interconnect [13] and [15].
----	-------	---

15	GND	Contact subsequently closed for 10 [s], then the control is released. Contact > 20 [s] opened, then the unit will be blocked (controller). Contact [NC] [Max level mixing tank], in series with contact [NC] [Thermostat filling pump].
----	-----	---



Project name:	20801300DSH010 044 Smartswitch 27-5092b[00]_3 Filling pump		
Product code:	20801300		
		Initial date:	01/01/2019
		Revision date:	01/01/2019
		Author:	MBL
		Page:	1 of 2

Ambient conditions

Degree of protection	IP20	
Ambient temperature (operation)	-10...50 [°C]	14...122 [°F]
Ambient temperature (storage/transport)	-20...50 [°C]	-4...122 [°F]
Permissible humidity (operation)	20...85 [%]	
Permissible humidity (storage/transport)	20...85 [%]	

Terminal data

Conductor cross section solid min.	0.2 [mm²]
Conductor cross section solid max.	2.5 [mm²]
Conductor cross section flexible min.	0.2 [mm²]
Conductor cross section flexible max.	2.5 [mm²]
Conductor cross section AWG min.	24
Conductor cross section AWG max.	14

General

Mounting type	DIN rail mounting according to EN 60715
---------------	---

Supply voltage

Power supply	DC24V
Current consumption typically	≤ 50 [mA], at DC24V, at 25 [°C]

Data interface

Interface 1	RS485
Connection method	Spring-cage connection
Transmission medium	2-wire Twisted-Pair + signal ground
Transmission length	500 [m]
Transmission speed	115.2 [kBit/s]

Relay output

Number of outputs	1
Contact configuration	Normally open contact
Switching voltage max.	24 [V], AC/DC
Switching current max.	1[A], bij 24 [V], AC/DC
Service life electrical	10 ⁵ operations

Notification

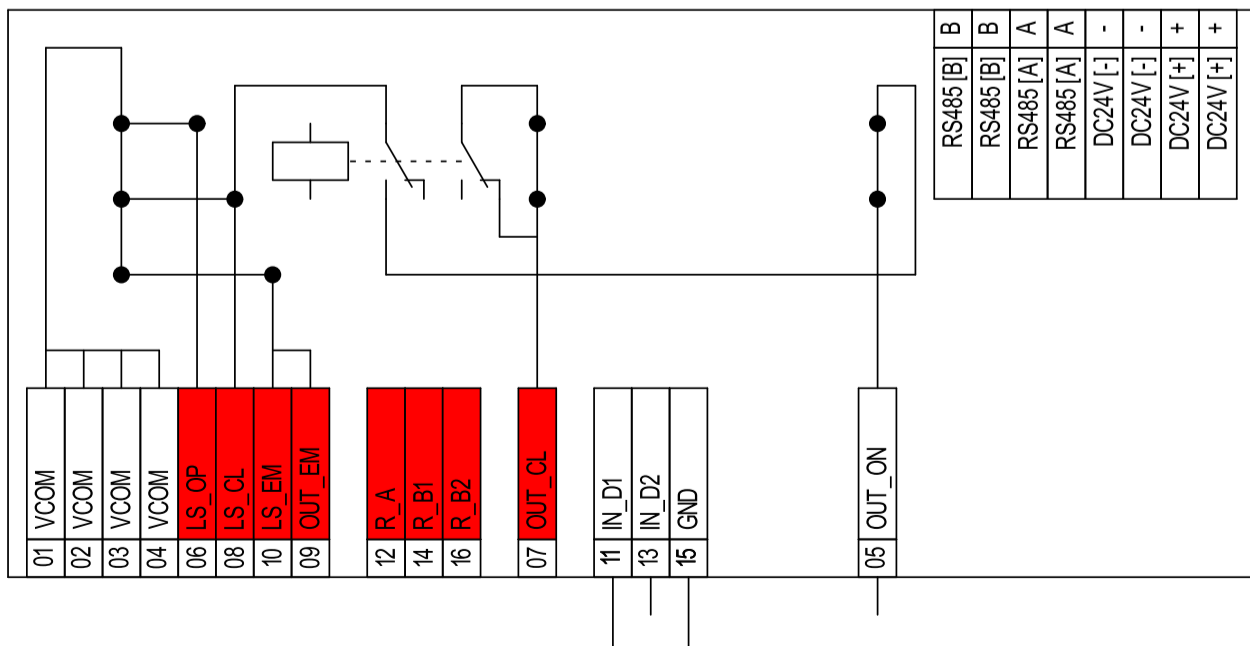
Location	LED status	Status Smartswitch control
PCB [1]	Green continuously	Smartswitch connection with touchscreen controller is active. Smartswitch control is inactive.
	Green blinking	Smartswitch connection with touchscreen controller is active. Smartswitch control is active. Smartswitch control alarm status is inactive.
	Red continuously	Smartswitch connection with touchscreen controller is inactive. Smartswitch control is inactive.
	Red blinking	Smartswitch connection with touchscreen controller is active. Smartswitch control is active. Smartswitch control alarm status is active.

Location	LED status	Status bus communication
PCB [2]	Green blinking	Smartswitch is receiving data over the bus [Rx].
	Red blinking	Smartswitch is transmitting data over the bus [Tx].

Location	LED status	Status device control
Rotary switch [1]	Green continuously	The control [on] is currently active. The connected device is on.

Schematic

-SSW2
Smartswitch
27-5092b[00]_3
20801300



Project name:	20801300DSH010 044 Smartswitch 27-5092b[00]_3 Filling pump		
Product code:	20801300		
Initial date:	01/01/2019	Author:	MBL
Revision date:	01/01/2019	Page:2	of 2